

Agricultural Erosion Control Structures

Grant Rate	Maximum Grant
30%	\$4,000

Rationale:

To reduce soil erosion and the amount of sediment and nutrients that reaches waterways.

Eligible Projects:

- Constructed erosion control works to prevent sediment/nutrient load to streams (drainage must enter waterway)
 - Water & Sediment Control Basins (WASCOBS)
 - Contoured Terraces
 - Drop Structures
 - Gully Stabilization and Retirement
 - Bank/Shoreline Naturalization (soft, bio-engineering only)
 - Re-meandering ditches (with >3m buffer retirement)
- Projects must be an improvement to water quality and overall stream health.
- It is advised that complex or large projects be designed by a professional engineer or consultant.

Conditions:

- Project must be designed and constructed according to meet or exceed the OMAF Agricultural Erosion Control Structures: *A Design and Construction Manual (Publication: 832)*.
- All collected water must be taken to a sufficient and legal outlet.
 - May require downstream landowner's permission.
- All tile outlets require: a rodent gate, proper rock protection underlain with filter cloth
- The applicant will obtain approval for appropriate agencies prior to construction (permit copies will be required, prior to grant payment); note that work done on municipal drains also require municipal approval



This Water and Sediment Erosion Control Basin (WASCOB) allows eroded soil to settle, before discharging to a local waterway. It is important to use soil conservation practices, with erosion control structures to extend their life.



This seasonal stream, once straightened, has had meanders (curves) re-introduced. This lets it to transport normal loads of sediment downstream. This reduces the need for dredging. An adjacent planted buffer was added so that the stream isn't over-loaded with sediment runoff.

- The project needs to be protected for at least 10 years.
- Projects need to be designed to improve water quality and overall stream health.
- Written permission of the landowner(s), where the project will take place, must be given on the grant application and a landowner agreement signed if the grant is approved.

Eligible Costs

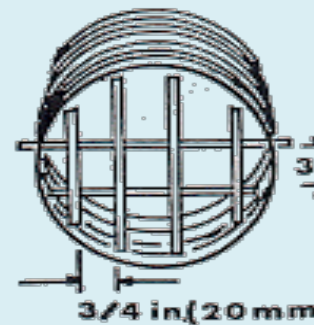
- Purchased materials and supplies
- Contract labour (from registered company)
- Professional fees for design, construction and supervision.

Ineligible Costs:

- Tile drainage, converting seasonal streams to tile, drainage ditch clean-outs, WASCOB clean-outs, any construction project which does not benefit water quality and/or stream habitat
- Bank or Shoreline hardening for erosion control: like break-walls, gabion baskets and concrete walls, that reduce habitat value of natural waterways.
- Purchase of equipment and machinery.
- Continual operating and maintenance costs
- Labour and equipment use of the applicant, family dependents, and the applicant's business
- Grants will not be provided for costs of in-kind labour and machine time, and personal expenses of the applicant(s), the applicant(s) business, or family members



On steep slopes, terraces and contour tillage can help keep fertile soils on the field and out of waterways.



Tile outlets should have a rodent guard, which is removable/ hinged to permit cleaning. (diag: OMAF)



Bio-engineering, is a way to use living, natural materials to reduce accelerated erosion. Here a volunteer is cabling in conifers on the outer cut-bank of a stream.